

CORNER CUTS MADE SIMPLE!



Slicer™ Corner Cutter

This is the only corner ODM will ever cut!

The ODM Slicer™ is a simple, hand-operated machine designed to cut perfect corners on cover sheets (up to 1" stack height) prior to the casemaking process of producing the hard cover.

STANDARD FEATURES:

- No make-ready time is required
- Perfect symmetrical corner cut every time minimizes waste of cover material stock
- Knife blade safety guard helps prevent injury

OPTIONAL TABLE STAND:

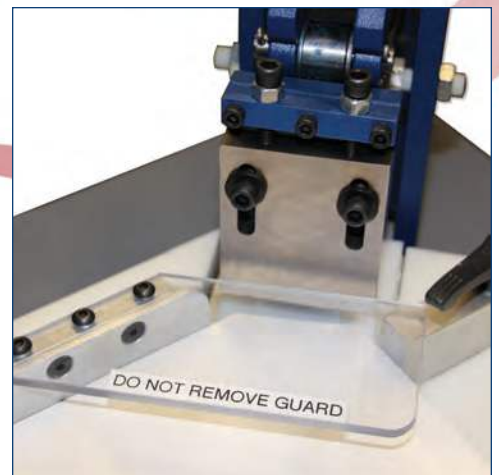
- Slicer™ tabletop is bolted into stand
- Sturdy, heavy-duty steel legs
- Bottom shelf for storing cover stock
- Dimensions: 36"W x 26"D x 34"H



Optional Table Stand with Storage Shelf



Manually Operated



Knife Blade Safety Guard

Slicer™



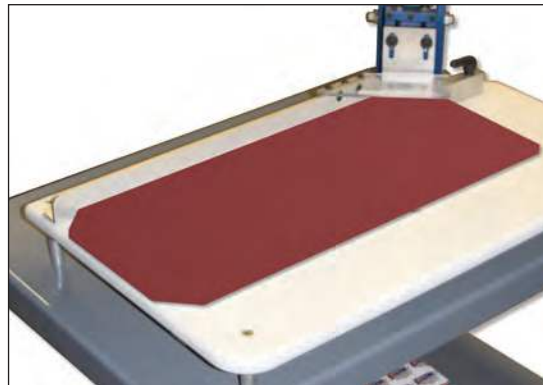
ODM CORNER CUTTING MACHINE

ODM Slicer™ Corner Cutting Machine Offers Outstanding Value, Quality and Performance!

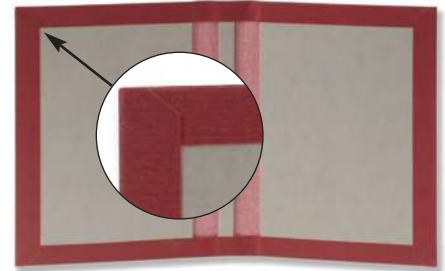
SPECIFICATIONS & TECHNICAL DATA:	SLICER™ CORNER CUTTER	STANDARD EQUIPMENT for SLICER™ CORNER CUTTING MACHINE:
Tabletop Surface Area:	15" x 24"	• Cuts perfect corners for casemaking
Knife Blade Width:	3"	• Knife safety guard cover
Stack Height:	1"	• No make ready
Dimensions:	36" x 26" x 4"	• Sturdy, heavy-duty steel legs support tabletop
Optional Table Stand:	36" x 26" x 34"	• Hand-operated, no power required
No Power Required:	Manually operated	



Knife Blade Safety Guard

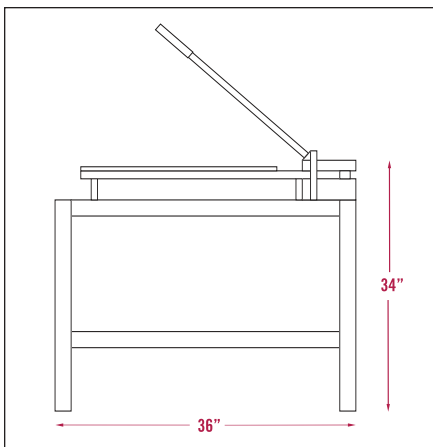


Trimmed Corner Cover Sheets

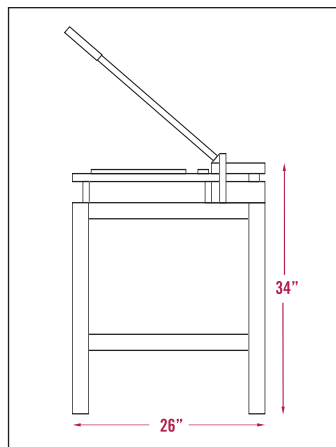


Close up of cut corner made with the ODM Slicer™. Produces a perfect cover for the casemaking process in creating the hard cover outer shell for hard cover bookbinding.

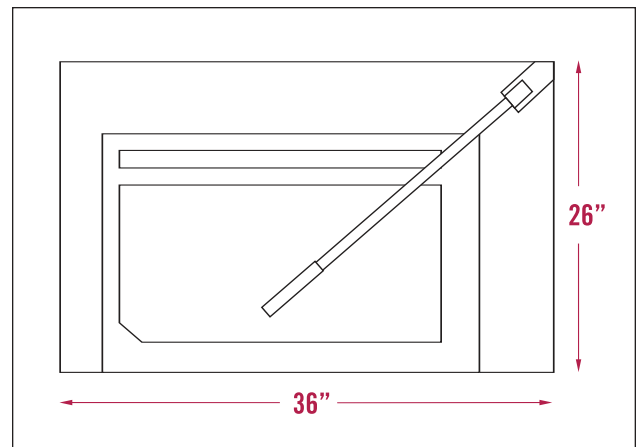
DIMENSIONS: FRONT VIEW



SIDE VIEW



OVERHEAD VIEW



ODM FREE TECH SUPPORT: 908-351-6906

150 Broadway, Elizabeth, NJ 07206 | Tel: 908-351-6906 | Fax: 908-351-7156 | www.ODMachinery.com